

# JOWA USA

## DeckMaster Deck Unit



### Description:

The DeckMaster Deck Unit is a liquid level display and alarm status unit intended for installation on the deck of a barge or tanker. Combined, several Deck Units and the DeckMaster Central Conditioning Unit meet the cargo gauging and alarm requirements of the USCG's vapor emission regulations (46CFR39). One Deck Unit will normally be placed near every manual valve on the vessel's deck. The user may scan the level and alarm status of any tank in the system from any Deck Unit.

The DeckMaster's Central Conditioning Unit (CCU) continuously sends data about the liquid level and alarm status of each tank to all Deck Units in the system. The data is transmitted as serial data messages and each Deck Unit extracts and displays the relevant information from these

messages. If the Deck Unit does not receive valid data from the CCU, it will blank the display and indicate an error.

A Deck Unit will normally display the level information for a specific tank. When an alarm condition occurs, the CCU will enable relays for the actuation of deck horns and strobes. Every Deck Unit on the vessel shows the name and the level of the tank, and also flashes the alarm status. The operator must go to the tank in distress to 'acknowledge' the alarm.

The Deck Unit is intended for vertical installation on the weather deck and is Factory Mutual approved as intrinsically safe in hazardous locations.

# DeckMaster Deck Unit

## Specifications:

**Operating Temperature Range:** -30° to +131°F [-22° to +55°C]

**Displays:** 3 LCDs

Tank Level: 6 numeric characters  
0.7" character height

Tank Title: 11 alphanumeric characters  
0.5 character height

Alarm Status: 4 alphanumeric characters,  
0.5" character height

**Controls:** 8 push-button switches

Tank Selection: 2

Function Selection: 2

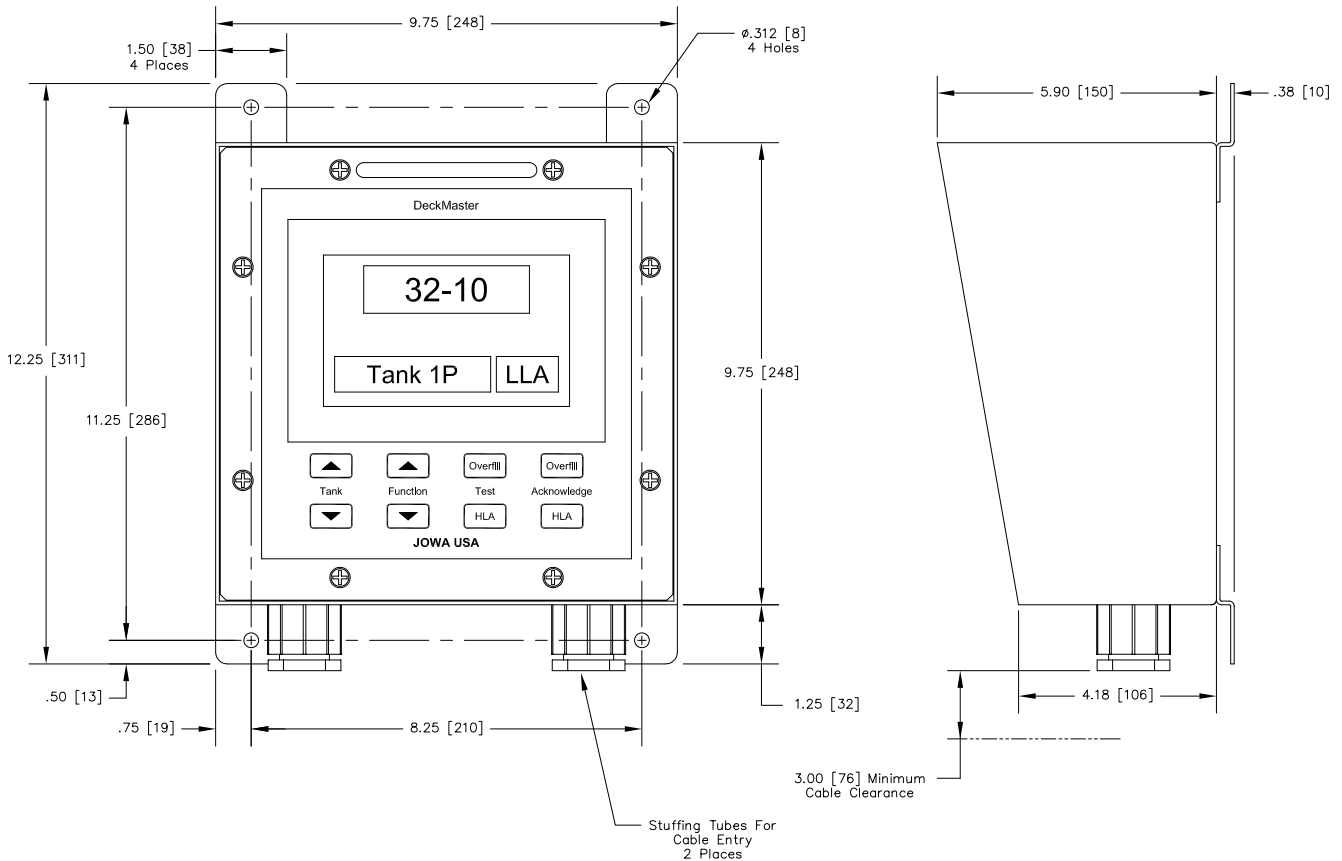
Test: 2

Alarm Acknowledgement: 2

**Enclosure Protection:** IP 66

**Dimensions:** See drawing below

## Dimensions:



**Disclaimer:**

This is not a specification and all information is provided in good faith. Since conditions of use are beyond the control of JOWA USA, Inc., the information contained herein is without warranty, whether express, implied or otherwise. Final determination as to the suitability, merchantability or fitness of any information, material or product for a particular purpose, or any patent infringement, is the sole responsibility of the user. JOWA USA, Inc. does not assume liability for injury arising from the use of the information, material or product, and assumes no liability for any damages, whether direct, indirect, consequential, special, incidental, punitive or otherwise. For additional information regarding JOWA USA, Inc.'s limited warranty, refer to the Terms and Conditions that are currently in effect.



JOWA USA, Inc.  
59 Porter Road  
Littleton, MA 01460-1431 USA  
Tel: 978-486-9800  
Fax: 978-486-0170 E-mail: info@jowa-usa.com  
www.jowa-usa.com