

JOWA Consilium

Single-Channel Monitoring System SC Series



Features:

- Low Cost Display for use with Rollie Level Detector (RLD)
- Primary or Slave Display Capability
- LCD display for viewing of Level, Volume and Alarm Status
- Watertight, UL Approved all Weather Enclosure. (Model SC-1000)

Description:

The SC series displays are designed to be used with the RLD sensor. It can be configured to receive input directly from the sensor or act as a remote display when used with another SC series display. The unit can be supplied with an optional e-mail output feature allowing liquid levels to be accessed remotely.

The SC1000 is designed to be used outdoors or indoors as either a primary or remote/slave display. The display unit is housed in a rugged UL approved all weather enclosure and shows level, volume and alarm status. It is ideal for use in tanks up to 6 feet in diameter.

Operation:

When used as a remote/slave or primary display, available data is updated once per second and includes level, volume and alarm status. The unit can be configured to show level only, volume only or can alternate between both automatically. The alarm status can be configured to trigger an e-mail alert which can be used to signal low or high level conditions. Active alarms are displayed as they occur.

Benefits:

The SC-1000 can be used as a primary or remote display with optional e-mail output capability.

Coupled with the RLD level sensor, the SC-1000 is a low cost monitoring solution for small tanks.

The indoor only model SC-2000, is available with all the same features as the SC-1000 and allows easier access to setup controls.

Single-Channel Monitoring System SC Series

Technical Specifications:

Power Requirements: 5 VDC @ 16 mA
A simple 115VAC adapter is included.

Inputs: RLD sensor or serial input connection when used as a slave device.

Outputs: Serial data stream when used as Master

Accuracy: $\pm 1/8$ inch

Display: 6 digits, 1/4 inch high

Display Units: Inches and eighths, Gallons

Environmental:

Operating temperature range: 0 to +120 °F
(-17 to +50 °C)

Storage temperature range: -40 to +140 °F
(-40 to +60 °C)

Relative Humidity: 0 to 90% non-condensing

Connections: Screw Terminals, 2 for power, 3 for the sensor. An additional 3 required for serial or modem communication.

Enclosure: UL approved all weather enclosure with clear polycarbonate cover. Enclosure has 3/4" knockouts on the sides and 1/2" knockouts on the top and bottom for wire entry.

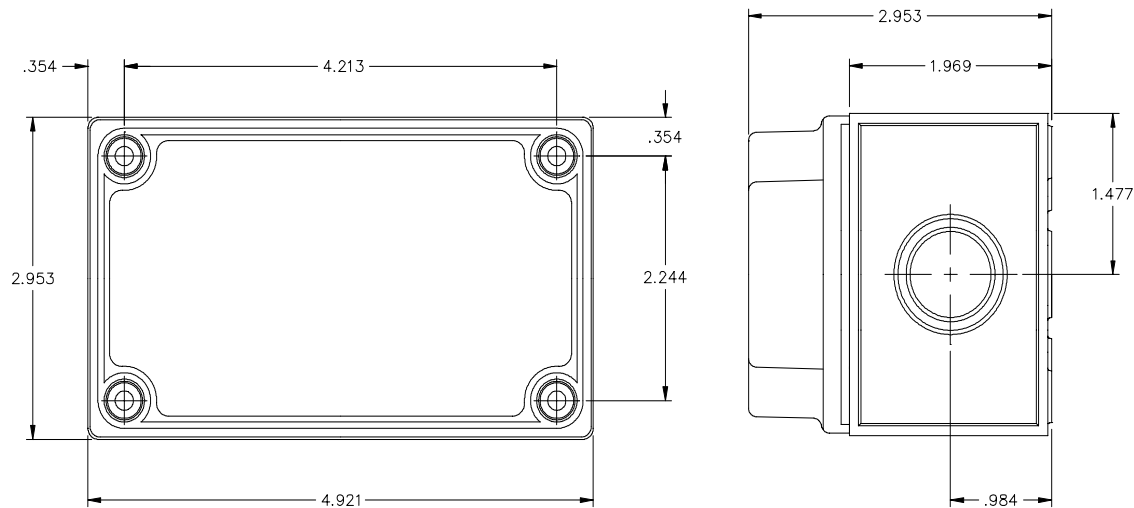
Weight: 0.4 lbs.

OPTIONS:

- Master or Slave display via an RS-232 Serial connection.
- Internet modem for e-mail connectivity

Memory Backup: Non-volatile flash storage of programs and calibration data.

Outline and Mounting Dimensions (SC-1000 shown):



Disclaimer:

This is not a specification and all information is provided in good faith. Since conditions of use are beyond the control of JOWA Consilium US, Inc., the information contained herein is without warranty, whether express, implied or otherwise. Final determination as to the suitability, merchantability or fitness of any information, material or product for a particular purpose, or any patent infringement, is the sole responsibility of the user. JOWA Consilium US, Inc. does not assume liability for injury arising from the use of the information, material or product, and assumes no liability for any damages, whether direct, indirect, consequential, special, incidental, punitive or otherwise. For additional information regarding JOWA Consilium US, Inc.'s limited warranty, refer to the Terms and Conditions that are currently in effect.

JOWA Consilium

JOWA Consilium US, Inc.
59 Porter Road
Littleton, MA 01460-1431 USA
Tel: 978-486-9800 Toll free: 800-861-1560
Fax: 978-486-0170 E-mail: info@jowa-consilium.com
www.jowa-consilium.com