

Digital Display Meter PD692 Series



Features:

- Full six digit display
- Transmitter Excitation
- 4-20 mA, 1-5 V, 0-5 V, or 0-10V Field Selectable Inputs
- NEMA 4X front panel
- 11 point linearization
- Programmable Root Function for Weirs and Flumes
- Pump Alternation Function
- 115 VAC Standard

Options:

- 2 or 4 relay outputs
- 4-20mA Current Output
- 230 VAC & 24VDC versions available

Description:

Consilium's digital display meters provide readout of liquid level or temperature when used with level or level/temp sensors and transmitters.

These panel mount meters are standard 1/8 DIN size, constructed of high impact plastic. The front panel is NEMA 4X. For wall mounting, an optional NEMA 4X Polycarbonate enclosure is available with hardware and a cut-out to mount the meter.

Specifications:

(Except where noted all specifications apply to operation at +25°C)

Display: Six digit, 0.56" (14.2 mm) high efficiency red or green seven segment LED.

Decimal Point: 2.9999, 29.999, 299.99, 2999.9, or extra zero may be turned on 299990.

Loop Power: (AC units only)
Isolated power supply, 24 VDC \pm 5% @ 20mA regulated. Maximum loop resistance is 1200.

Linear Input Accuracy:
 \pm 0.05% of calibrated span \pm 1 count

Digital Display Meter PD692 Series

Specifications, continued:

Alarm Points: Four, any combination of high or low alarms

Alarm Point Deadband: 0-100% of full scale, user selectable

Alarm Status Indication: Front panel LED

Lockout: Jumper J3 restricts modification of calibration values

Non-volatile Memory: All programming values are stored in non-volatile memory for a minimum of ten years if power is lost.

Power: AC power, 115 or 230 VAC $\pm 10\%$, 50/60 Hz, 12 VA DC Power, 18-36 VDC, 6 watts maximum (DC version not UL Approved)

Enclosure: 1/8 DIN, high impact plastic, UL 94V-0

Front Panel: NEMA 4X

Environmental: Operational Ambient Temperature Range: 0° to +60°C

Storage Temperature Range: -40° to +85°C

Relative humidity: 0 to 90% non-condensing

Connections: Removable screw terminal blocks, accepts 22 to 12 AWG wire

Mounting: 1/8 DIN panel cutout required. Two panel mounting brackets provided

Overall Dimensions: 2.30 x 4.25 x 5.30 in. (58 x 108 x 135 mm)

UL File Number: E160849; 508 Industrial Control Equipment

Options:

Relays -

Rating: 2 or 4 SPDT (form C); rated 2 Amp @ 30 VDC or 2 Amp @ 250 VAC resistive load; 1/14 HP @ 125/250 VAC for inductive loads

Disclaimer:

This is not a specification and all information is provided in good faith. Since conditions of use are beyond the control of Consilium US, Inc., the information contained herein is without warranty, whether express, implied or otherwise. Final determination as to the suitability, merchantability or fitness of any information, material or product for a particular purpose, or any patent infringement, is the sole responsibility of the user. Consilium US, Inc. does not assume liability for injury arising from the use of the information, material or product, and assumes no liability for any damages, whether direct, indirect, consequential, special, incidental, punitive or otherwise. For additional information regarding Consilium US, Inc.'s limited warranty, refer to the Terms and Conditions that are currently in effect.

Deadband: 0-100% of full scale, user selectable

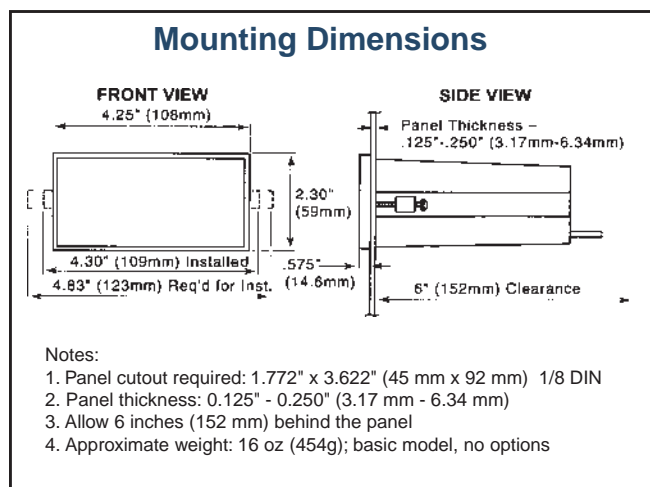
Fail-Safe Operation: Relay coils are energized in non-alarm condition. In case of power failure, relays will go to alarm state. Fail-safe operation may be disabled, by removing jumper J2 located on the Options PCB.

Auto Initialization: When power is applied to the meter, relays assigned to total will reflect the state of the accumulated total value in memory. Relays assigned to process/rate will reflect the state of the input to the meter.

Isolated 4-20 mA Transmitter Output -

Calibration Range: The transmitter output can be calibrated so that a 4mA output is produced for any process/rate measured by the meter. The 20mA output may correspond to any process/rate that is at least 501 counts greater or smaller than the process/rate corresponding to 4 mA. (Ex. 4 mA = 0, 20mA = 501) If the span between 4 and 20mA is less than 501 counts, an error message appears.

Output Loop-Power: 24 VDC $\pm 5\%$ @ 20 mA, regulated Maximum loop resistance is 600 ohms. Output loop is isolated from input loop power.



Consilium US, Inc.

59 Porter Road

Littleton, MA 01460-1431 USA

Tel: 978-486-9800 Toll free: 800-861-1560

Fax: 978-486-0170 E-mail: info@consiliumus.com