

JOWA Consilium

MetriSonic Ultrasonic Level Transmitter

Model MS-30

High performance Loop powered 2-Wire Ultrasonic Level Transmitter with the features of a line powered system.

Features:

- Level monitoring to 30 ft. (9.1 m)
- Accuracy +/- 0.15% of sensor range
- NEMA 4X, IP65 rated
- Level or Open Channel Flow monitoring
- FM Approved Intrinsically Safe
- Simple set-up via built-in display or PC software with HART communicator
- Two line, 7-digit LCD display
- Automatic Tank Profiling - automatically ignores most internal obstructions
- Built in 21 Point Strapping Table for Volume or Nonlinear Applications

Description:

Whether used to measure level or open channel flow this full featured 2-wire Ultrasonic transmitter offers the performance and features of line-powered systems without the expense.

The sensor has a range of 30 ft. (9.1 m) with an accuracy of +/- 0.15% full scale. Setup is done via PC software and a HART communicator or through a simple menu structure on the front panel. The user friendly menu structure allows setting of the range directly in inches, feet, or metric units via the integral display with an environmentally sealed keypad.

Automatic tank profiling eliminates interfering signals from agitators and other internal tank



obstructions without the need to empty the tank and without operator intervention. Easily ignores pipes and obstructions that are in the sonic beam path.

The open channel flow configuration is done via 80 preset flume and weir characterizations. The user can also setup a custom characterization for uncommon flumes/weirs. Contained within the MS-30 are 2 totalizers (one is user resettable).

The compact transducer allows for mounting in any 2" nozzle. In cases where measuring to the very top of a tank is desired, the sensor can be mounted in a recessed nozzle.

Specifications:

Range: 1 to 30 ft. (0.3 to 9.1 m)

Input Power: 19 to 30 VDC

Output Signal: 2-wire 4-20mA, HART (isolated)

Accuracy: +/- 0.15% or 0.2 inch (5 mm) of sensor range, whichever is greater.

Maximum Loop Resistance: 600 ohms at 24 VDC

Output Mode: Level, Distance, Flow or Volume

Response Time: 300 milliseconds

Frequency: 50KHz

Operating Temperature Range: -40° to 158°F (-40° to 70°C)

Automatic Temperature Compensation: Built-in and temperature shown on the display.

Display: 2-line, 7-digit LCD
Character height: top line 0.25", bottom line 0.36"
UV Rated - Sunshield not required

Fail-Safe: 3.7 and 22mA error signals - user selectable for lost echo and near zone violations.

Display Indications: Level, Distance, Flow rate, Totalization, Temperature, Signal strength, Milliamp, Volume. User selectable and multiple selections can be scrolled automatically.

Supported Flow Elements: Parshall, Rectangular Weirs (with and without end contractions), V-Notch, Trapezoidal (Weir & Flume), Leopold-Lagco, Palmer-Bowlus, "H" flumes

FM Approval: IS CL I, II, III DIV 1 GR A-G; CL I, Zone 0 AEx ia IIC; NI CL I DIV 2 GR A-D

Beam Angle: Conical, 10° (total) @ 3db down

Electrical Enclosures: PBT-RF (Valox UV Stabilized) NEMA 4X (IP-65) rated

Sensor Material: CPVC

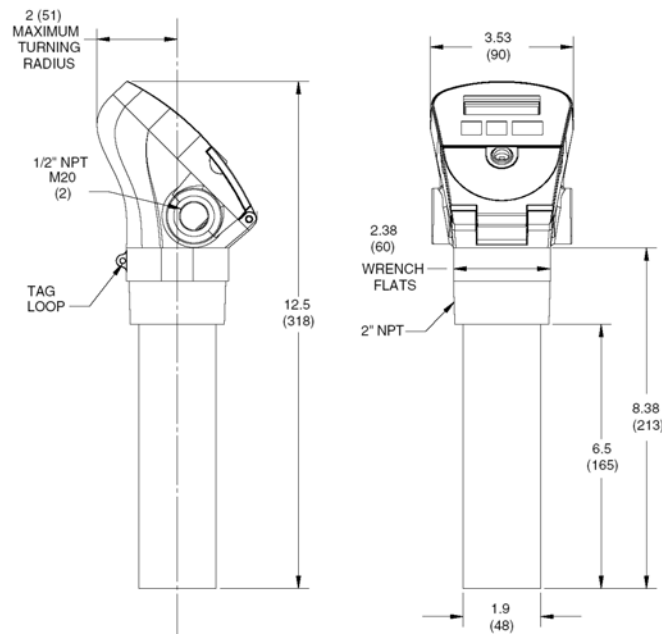
Signal Damping: User programmable from 0 - 99 sec.

Configuration: Local Display with Keypad or PC Software with HART Communicator

Connection: 2-inch NPT

Pressure Rating: 50 psig (3.4 bar)

Mounting Dimensions



Disclaimer:

This is not a specification and all information is provided in good faith. Since conditions of use are beyond the control of JOWA Consilium US, Inc., the information contained herein is without warranty, whether express, implied or otherwise. Final determination as to the suitability, merchantability or fitness of any information, material or product for a particular purpose, or any patent infringement, is the sole responsibility of the user. JOWA Consilium US, Inc. does not assume liability for injury arising from the use of the information, material or product, and assumes no liability for any damages, whether direct, indirect, consequential, special, incidental, punitive or otherwise. For additional information regarding JOWA Consilium US, Inc.'s limited warranty, refer to the Terms and Conditions that are currently in effect.

JOWA Consilium

JOWA Consilium US, Inc.

59 Porter Road

Littleton, MA 01460-1431 USA

Tel: 978-486-9800 Toll free: 800-861-1560

Fax: 978-486-0170 E-mail: info@jowa-consilium.com

www.jowa-consilium.com